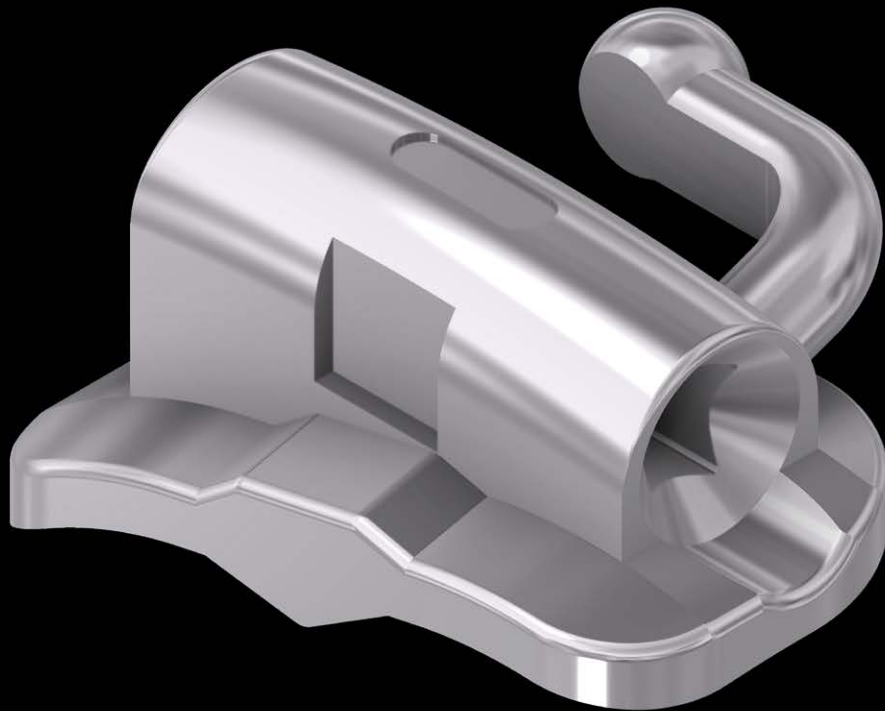


Comfort Line *3D*



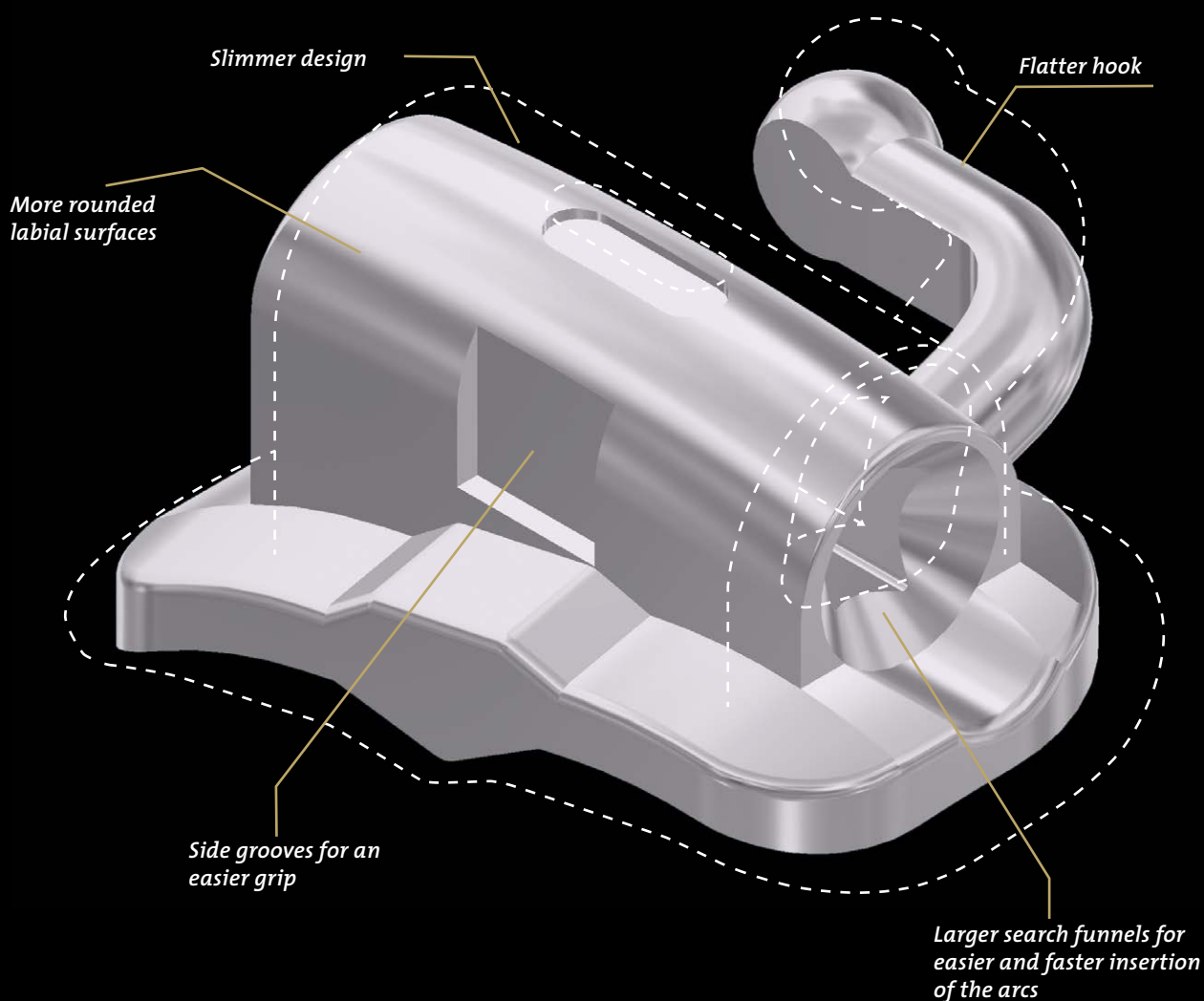
Comfort Line 3D Buccal tubes

FORESTADENTs classic buccal tubes with optimized base

The advantages at a glance

FORESTADENT is presenting the latest generation of its popular Comfort Line buccal tubes in the form of Comfort Line 3D. The modified version features a new reduced size of three-dimensional base for improved adhesion values, guaranteeing an easy and secure debonding process at the same time.

The nickel-free Comfort Line 3D buccal tubes are manufactured in one piece together with the pad and are available in two varieties - with or without a fissure groove. The tubes are equipped with a fissure groove for easier placement on the tooth, as the buccal groove is optimally adapted to the anatomical tooth fissure.



Comfort Line 3D buccal tubes are also available with fissure grooves to simplify positioning.

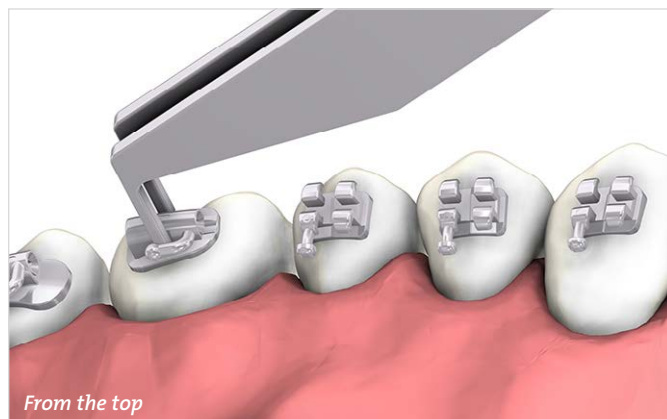


Handling options

Applying the adhesive to the pad of the buccal tube and its precise positioning on the tooth requires a secure grip of the tube. To ensure reliable picking up and holding during the bonding process, users of the Comfort Line 3D buccal tubes have three different gripping options with different forceps. This allows optimal work to be carried out even in the posterior region (6 and 7 teeth), where the cheek cannot be held so far away and where there is only limited space to position the adhesive coated tubes.

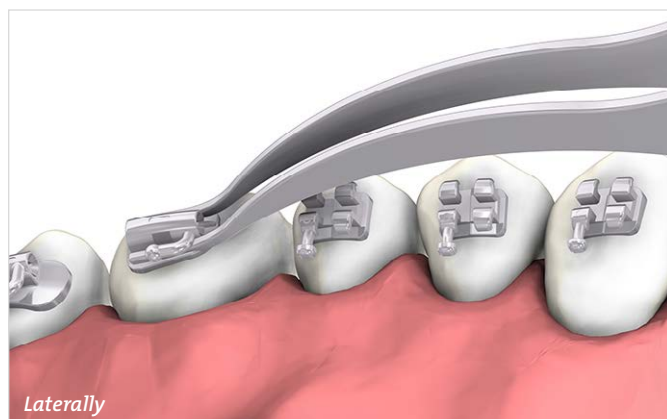
Option 1

The Comfort Line 3D buccal tube is gripped **from the top**. The branches of the bracket set forceps (order no. 501-0867) grip from the top into the two lateral vertical pockets of the tube. These are designed in such a way that they correspond to the width of the forcep branches, allowing secure gripping and holding.



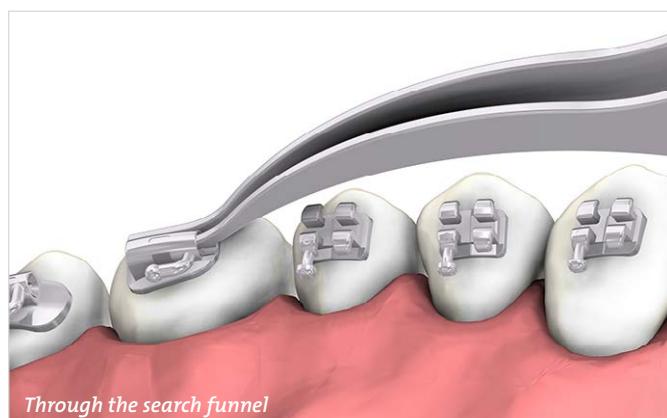
Option 2

The Comfort Line 3D buccal tube is gripped **laterally**. The use of the buccal tube set forceps (order no. 501-0852) is suitable for this purpose. Their flattened branches grip the side walls of the tube from the front, whereby one branch is guided into the gap between hook and pad.



Option 3

The Comfort Line 3D buccal tube is gripped **through the search funnel**. A branch of the buccal tube forceps (order no. 501-0852) reaches into the slot of the buccal tube from the front. This gripping option is optimally supported by the enlarged feed funnel.



Maxillary



	Tooth	Torque	Angulation	Distal Offset	Slot	without anatomical indent		with anatomical indent	
						right	left	right	left
76 67	0°	-	-	0°	.018" x .028"	748M8211	748M8311	748K8211	748K8311
					.022" x .028"	748M8221	748M8321	748K8221	748K8321
76 67	-10°	-	-	12°	.018" x .028"	774M0804	773M0804	774K0804	773K0804
					.022" x .028"	774M0802	773M0802	774K0802	773K0802
76 67	-14°	-	-	12°	.018" x .028"	728M0804	727M0804	728K0804	727K0804
					.022" x .028"	728M0802	727M0802	728K0802	727K0802
76 67	-14°	-	-	14°	.018" x .028"	741M0804	740M0804	741K0804	740K0804
					.022" x .028"	741M0802	740M0802	741K0802	740K0802

Mandibular

76 67	0°	-	-	0°	.018" x .028"	748M8311	748M8211	748K8311	748K8211
					.022" x .028"	748M8321	748M8221	748K8321	748K8221
76 67	-10°	-	-	0°	.018" x .028"	728M1804	727M1804	728K1804	727K1804
					.022" x .028"	728M1802	727M1802	728K1802	727K1802
76 67	-20°	-	-	0°	.018" x .028"	728M1714	727M1714	728K1714	727K1714
					.022" x .028"	728M1712	727M1712	728K1712	727K1712
76 67	-25°	-	-	12°	.018" x .028"	774M1804	773M1804	774K1804	773K1804
					.022" x .028"	774M1802	773M1802	774K1802	773K1802
76 67	-30°	-	-	0°	.018" x .028"	748M8315	748M8215	748K8315	748K8215
					.022" x .028"	748M8325	748M8225	748K8325	748K8225

Suitable forceps

Order No.		Description
501-0867		Bracket locating tweezers small model, also suitable for lingual treatment, disinfected, sterilisable
501-0852		Buccal tube setting forceps delicate design, disinfected, sterilisable