

IT'S ALL ABOUT THE CLIP...

BioQuick®

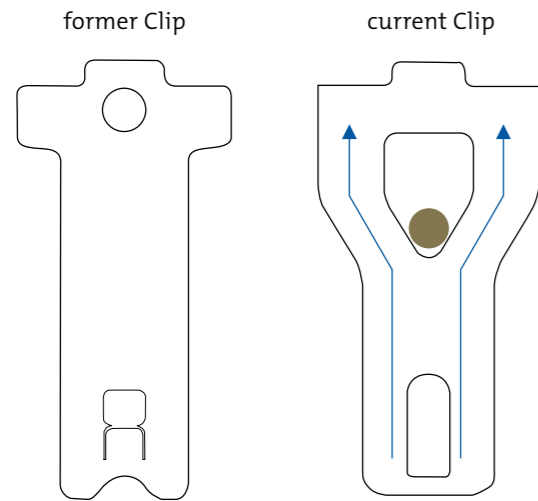
The 5th Generation

www.forestadent.com

FORESTADENT®
GERMAN PRECISION IN ORTHODONTICS

BioQuick®

It's all about the Clip...

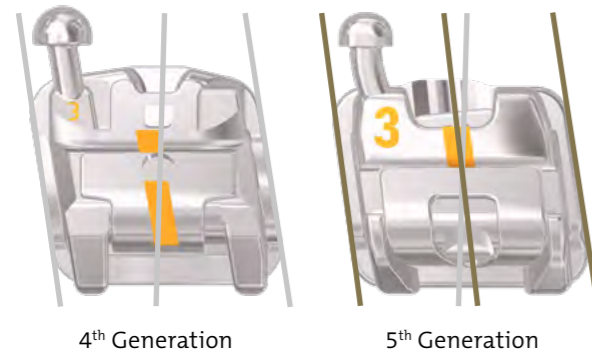


The current Clip has still the original width but has been optimized and extended in the heavily stressed area. This allows it to absorb more force and is less prone to deformation.

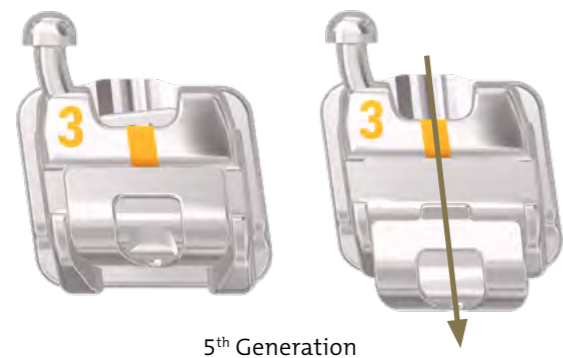
The advantages:

- The larger Clip opening allows for easier opening with tools such as explorers or scalars. In addition, we have developed a new instrument for even safer opening.
- The application point for the force required for opening has been optimized. This means that less force is needed and at the same time there is less strain on the material.
- The new Clip design allows a larger usable slot width and hence better rotation and angulation control, while at the same time the bracket has become smaller.
- There are four Clip variants for different bracket angulations: the bracket is now opened simply and intuitively along the longitudinal axis.

The new clip is opened in the angulation direction:



Midline marking remains in open state correct:



BioQuick®

Opening options

Opening option No. 1:

The clip can be opened with the aid of an opening instrument such as a probe or scaler by inserting it into the clip opening and pulling the clip in the direction of angulation.



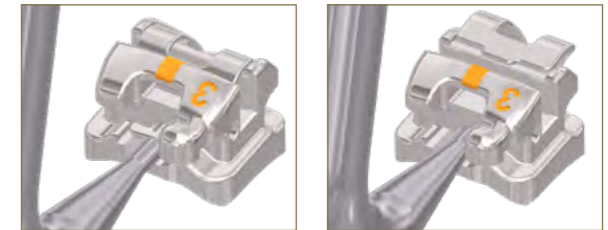
Opening option No. 2:

The clip can be opened with the new two-prong probe by inserting one of the two tips into the clip opening and pulling the clip in the direction of angulation. The second tip of the probe acts as a limiter.



Opening option No. 3:

The clip can be opened using the new opening instrument by inserting it into the gingival funnel and pushing the clip in the direction of angulation.



Please note that gingival opening is not possible with the previous opening instrument C501-1842, as its tip is too thick for the gingival funnel.

Our instruments for BioQuick®:

501-1845
BioQuick®
New opening instrument,
two-sided



501-1846
Two-prong probe for
BioQuick®
with stop function for safe
opening, two-sided



501-0861
Archwire director



BioQuick®

The most attractive advantages at a glance

New, redesigned clip with large vestibular opening, which also allows the use of explorers or scalers.

Improved contact ribs in the slot for more precise torque transmission.

The circumferential pad edge reduces overflow of adhesive and is mesio-distally beveled for easier debonding.

Auxiliary slot for the use of auxiliaries or double arch mechanics up to a dimension of .014".

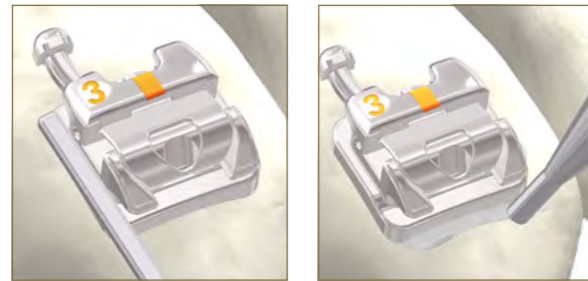
Bracket body in one-piece design: Hook-shaped undercuts on the bracket base guarantee reliable adhesion*.

Rounded bracket and slot edges ensure a high level of wearing comfort and low friction.

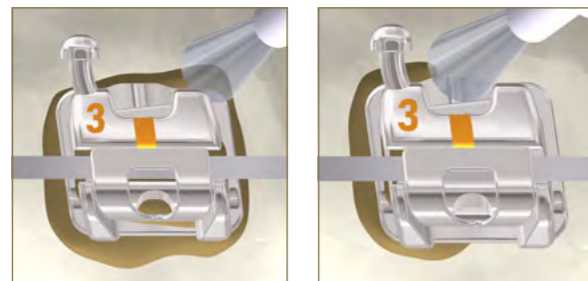
*Extract from the Inaugural Dissertation from the Polyclinic for Orthodontics of the Julius-Maximilians-University of Würzburg for the award of the doctorate, submitted by Christian Mihlan from Magdeburg in June 2012 (abridged and summarized by FORESTADENT. www.forestadent.com)

BioQuick®

Easy handling



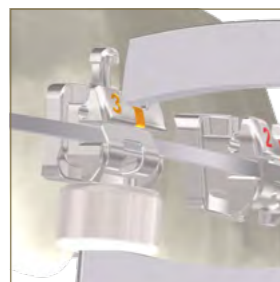
Position the bracket on the gingival edge and press it on. Remove any excess adhesive around the pad.



Clean the brackets before changing the archwire.



Hold the archwire carefully in the slot base before the clip is closed by a gentle push with the finger.



The brackets are removed using band removal pliers.



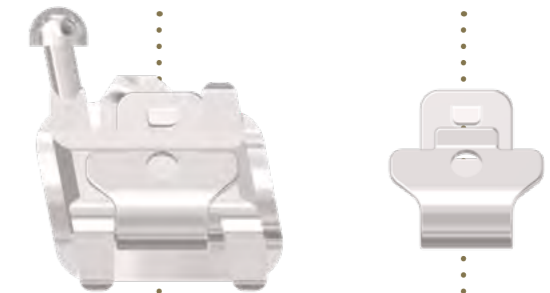
All ordering information on BioQuick® in the respective Prescription.

BioQuick®

From the beginning to the present 5. Generation

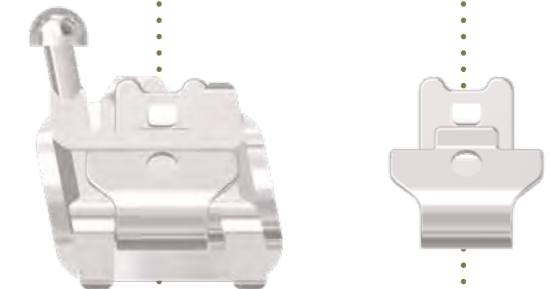
2005 – Quick®

- Presentation at the 78th Annual Meeting of the DGKFO and DGZMK in Berlin October 26 - 30, 2005
- Clip Generation 8



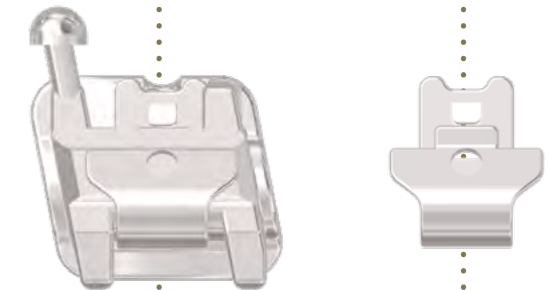
2008 – Quick® 2.0

- Clip Generation 10
- Improvement of the Clip function
- Less corner radius
- Extension of lower clip leg
- Improvement of clip guidance



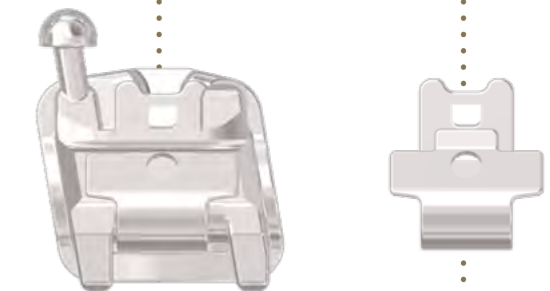
2011 – BioQuick®

- 2 bracket families: active and passive
- Improvement of gingival opening
- Redesign of the base curvature based on the results of our measurement study (4,000 teeth) → addition „Bio



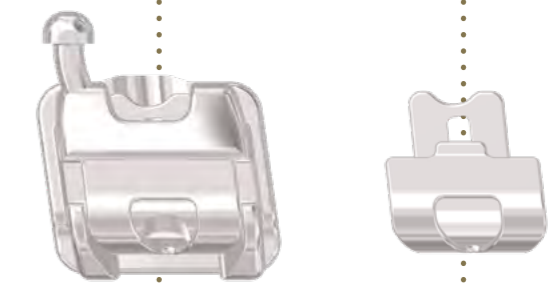
2014 – BioQuick® 4. Generation

- Flatter design (low profile)
- Rounded labial contour for better wearing comfort
- Stronger (thicker) clip with adjusted wings
- Improved gingival opening (pad protrusion gingival)



2023 – BioQuick® 5. Generation

- Completely new Clip Design
- Greater usable slot length with simultaneous reduction of the occluso-gingival and mesio-distal dimensions



EASY HANDLING

FROM THE BEGINNING UNTIL TODAY

FORESTADENT

Bernhard Förster GmbH
Westl. Karl-Friedrich-Str. 151
75172 Pforzheim (Germany)

Phone: +49 (0) 7231 459-0
Fax: +49 (0) 7231 459-102
www.forestadent.com
info@forestadent.com

**FORESTADENT**[®]
GERMAN PRECISION IN ORTHODONTICS